

### PW3: Wall-mount aluminium 'ladders' with hook-over poster holders

#### **COMPONENT LIST - WALL LADDER**

Post with 2 channels (opposite) anodised aluminium, satin finish	2 (standard: 50mm dia.; slimline: 38mm dia)
Stick-on End cap for posts	4
'L'-shaped brackets	2 - 4 down: 2; 5 down: 4
Toggle with M6x10 cylinder-headed bolt	2 - 4 down: 2; 5 down: 4
'Rung' with lock at each end (for lengths, see below) (25mm anodised aluminium, satin finish)	2 down: 4; 3 down: 6; 4 down: 8; 5 down: 10
A4 portrait hook-on poster holder	Calculate: number across x number down

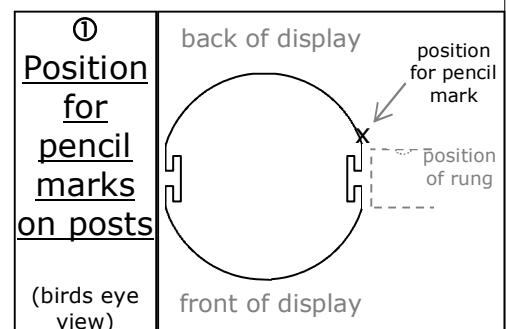
#### **'RUNG' LENGTHS AND OVERALL DISPLAY WIDTHS**

No of A4 portrait poster holders across	2	3	4	5	6	7	8
Length of rung (excluding locks)	440mm	660mm	880mm	1100mm	1320mm	1540mm	1760mm
Overall width of STANDARD display	532mm	752mm	972mm	1192mm	1412mm	1632mm	1852mm
Overall width of SLIMLINE display	508mm	728mm	948mm	1168mm	1388mm	1608mm	1828mm

### **ASSEMBLY INSTRUCTIONS - WALL LADDER**

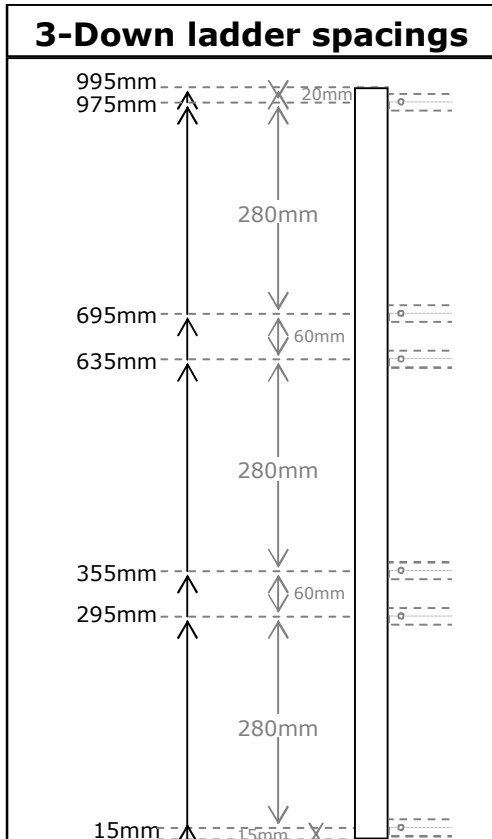
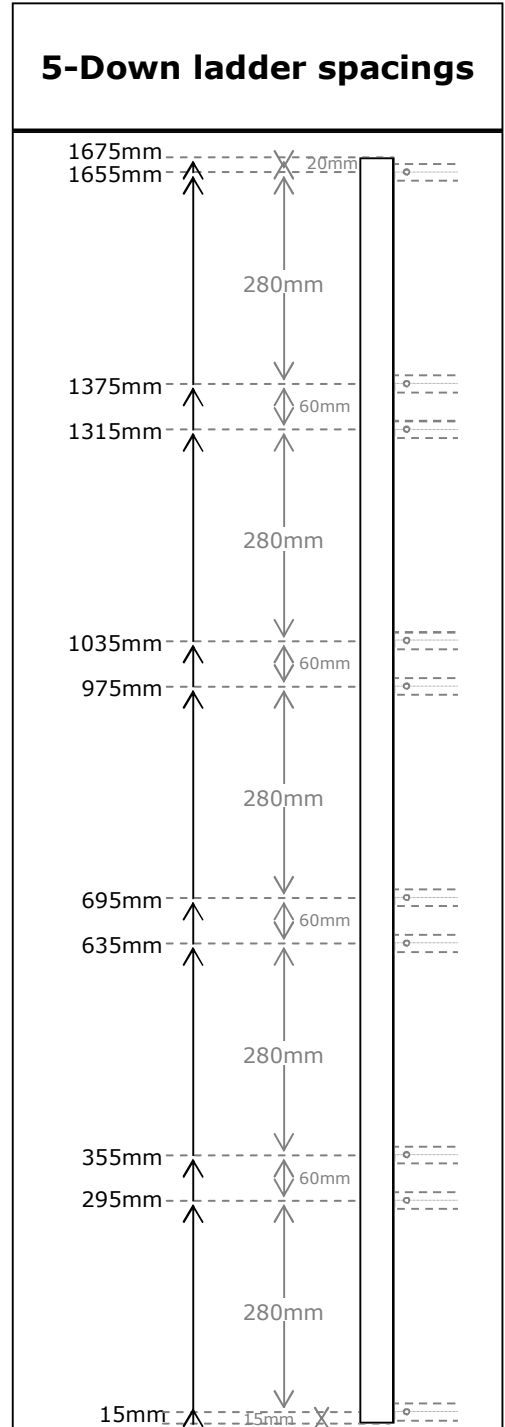
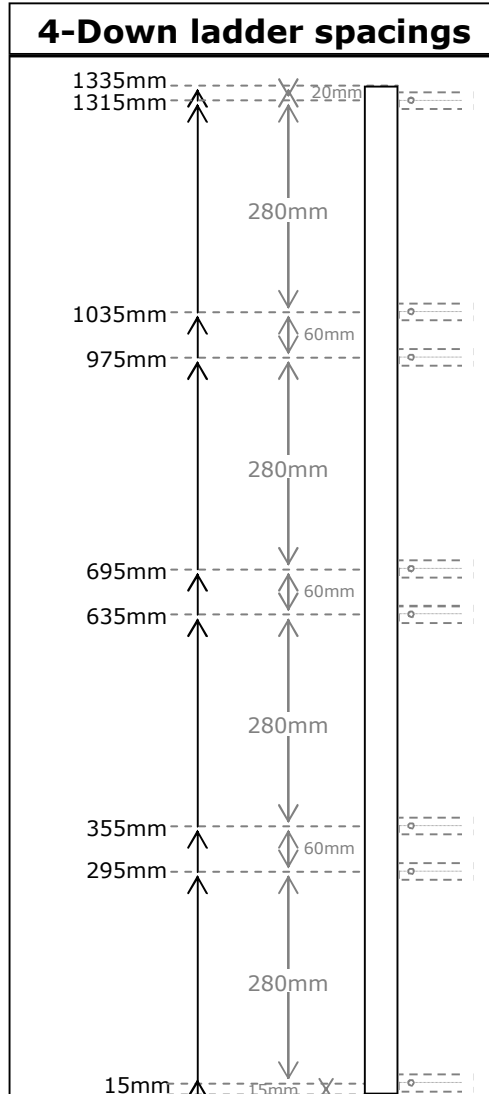
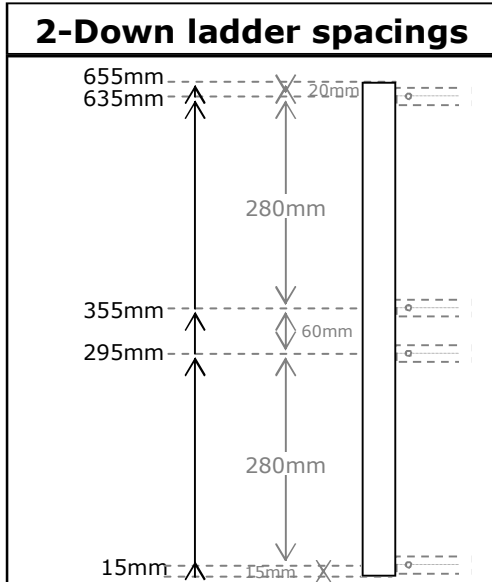
*NOTE: Two people are required to assemble and wall-mount this display.*

1. Measure desired position of each rung on posts and mark with a pencil.
2. Lay first post horizontally on a flat surface with pencil marks uppermost and fix aluminium rungs to this in all marked positions, with locks to the back (side with pencil marks). (Centre line of rung should line up with pencil mark).
3. Lay second post horizontally on a flat surface. Position first post so that remaining locks are inserted into channel in second post and attached rungs approximately line up with pencil marks.



4. Tighten locks to fix rungs securely into second post, adjusting position as necessary so that rungs line up with pencil marks.
5. Fix one L-shaped bracket to inside channel of each post using toggle and bolt (same channel as that to which rungs are fixed). This should be on top half of post, and just below a horizontal bar is best. For 'five down' wall ladders only, fix a second bracket on lower half of each post.
6. Measure distance between brackets, then remove these from the posts.
7. Fix brackets to wall correct distance apart (as measured) and at desired height. Fix each bracket with two fixings (not supplied - select fixings (eg screws, rawlplugs etc) appropriate for wall).
8. Offer wall ladder up to brackets, and re-fix brackets to posts using toggles.
9. Adjust position of ladder as necessary to ensure that rungs are horizontal.
10. Stick self-adhesive end caps to tops and bottoms of posts (removing protective film).

**PW3: Wall-mount aluminium 'ladders' with hook-over poster holders**



**FIX RUNG TO POST**

1. Ensure that parts of lock in end of rung are 'together'
2. Position lock in post so that rung is in desired position (line up centre of rung with pencil mark on post)
3. Use allen key to tighten lock so that lock opens and rung is held securely in place

